

ORDERING INFORMATION

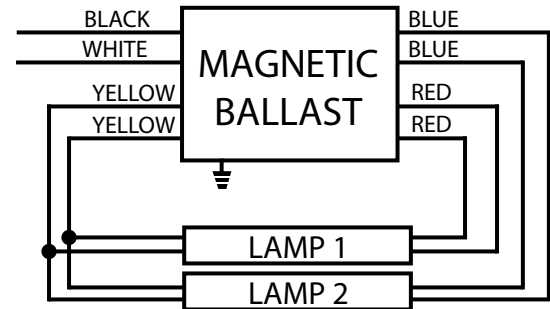
Order code: 10190
 Description: BM225/32SRS120/TP/STD GLB
 UPC: 69549101906



SPECIFICATIONS

Ballast type:	Linear
Starting method:	Rapid Start
Lamp connection:	Series
Input voltage (V):	120 V
Input frequency (Hz):	60 HZ
Type:	1 Outdoor
Contains PCBs:	No
Sound rating:	A
Open current voltage (OCV) (V):	340
Thermal protection:	Class P

WIRING DIAGRAM



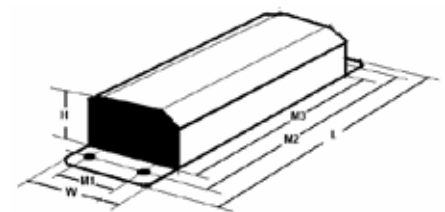
Lamp Type:	Number of lamps	Rated lamp watts	Min. start temp. (°F / °C)	Input current (A)	Input power (ANSI watts)	Ballast factor	Max THD (%)	Power factor	Max. lamp current crest factor	B.E.F.
120 VOLTS										
F32T8 (32W)	2	32	50/10	0.63	74	0.94	9	0.98	1.4	1.27
F25T8 (25W)	2	25	50/10	0.51	60	0.90	9	0.98	1.7	1.50
FB32T8 (32W)	2	32	50/10	0.63	74	0.93	10	0.98	1.4	1.26
FB31T8 (31W)	2	31	50/10	0.63	73	0.93	11	0.97	1.5	1.27
FB24T8 (24W)	2	24	50/10	0.51	60	0.90	10	0.98	1.7	1.50

LEADS LENGTH

Black	22" (55.9 cm)
White	22" (55.9 cm)
Blue	26" (60 cm)
Red	26" (60 cm)
Yellow	36" (91.4 cm)

BALLAST DIMENSIONS

Length (L)	9.5" (24.1 cm)
Width (W)	2.4" (6 cm)
Height (H):	1.5" (3.8 cm)
Mounting 1 (M1)	1.7" (4.3 cm)
Mounting 2 (M2)	8.9" (22.6 cm)
Mounting 3 (M3)	8.3" (21.2 cm)



WARRANTY:
 Ballast warranty of 2 years for magnetic ballasts. Ballast warranty of 3 years for energy saving magnetic ballasts.
 For more information visit our website.

Data is based upon tests performed in a controlled environment and representative of relative performance.
 Actual performance can vary depending on operating conditions. Specifications are subject to change without notice.
 March 30, 2015