

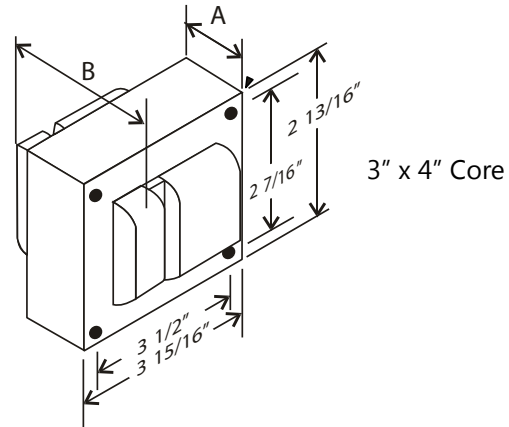
ORDERING INFORMATION

Order code: 16591
 Description: BALM0175PCA-BULK
 UPC: 69549165915



SPECIFICATIONS

Ballast type: Magnetic metal halide
 Ballast style: Core and coil
 Circuit type: CWA
 ANSI code: M57
 Input voltage (V): 120/277/347
 Input frequency (Hz): 60
 Line volt regulation: $\pm 10\%$
 Line watt regulation: $\pm 10\%$
 Insulation class: H (180°)



Input voltage (V)	Operating current (A)	Open circuit current (A)	Starting current (A)	Rated lamp watts (W)	Input watts (W)	OCV (V)	Dropout voltage (V)	UL 1029 code	Fuse rating (A)	Input current (A)	Power factor	Starting temperature
120	1.80	1.70	1.30	175	210	305	60	D	5	0.70 - 1.10	0.90	-20°F / -30°C
277	0.78	0.75	0.55	175	210	305	140	D	2	0.29 - 0.50	0.90	-20°F / -30°C
347	0.62	0.60	0.43	175	210	305	175	D	2	0.23 - 0.40	0.90	-20°F / -30°C

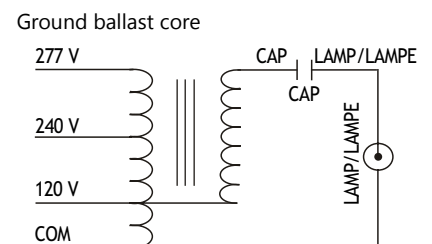
HIGH POTENTIAL TEST (V)

1 minute:	2 000
2 seconds:	2 500
OCV test:	275 - 335
Short circuit:	1.50 - 1.90

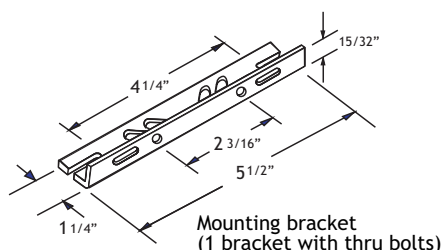
BALLAST DIMENSIONS

Dimension A:	2.25"
Dimension B:	3.75"
Lead Lengths:	12.00"
Weight (lbs):	7.50

WIRING DIAGRAM



BRACKET



CAPACITOR

