

Date: _____
 In hands date of project: _____
 Project name/Number: _____
 Name of distributor: _____
 Client #: _____
 Name of end user: _____



Dia. 5.7" (145 mm) Height 3.2" (80 mm)

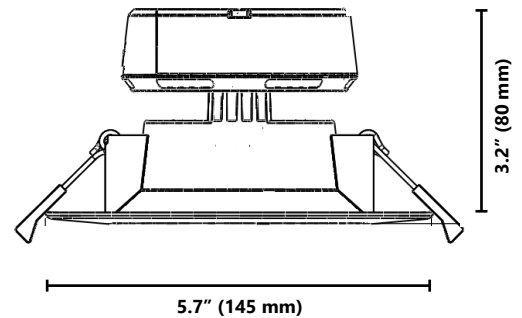
ORDERING INFORMATION

Order code: 64328
 Description: LED/PRESTO/DL4ID/7W/40K/STD
 UPC: 69549643284
 Case quantity: 6

PERFORMANCE DATA

Shape:	Round
Size and type:	4" LED Downlight Presto Series
Mounting:	Recessed
Trim finish colour:	White baffle
Lens type:	Frosted polycarbonate
Cut out hole dimensions:	Ø105-Ø120 mm
Wattage (W):	7
Voltage (VAC):	120
Beam angle (°):	108
THD (%):	<30%
Power factor:	>0.9
CBCP:	249
CRI:	83
Colour temperature (K):	4 000
Initial lumens (lm):	638
Initial lumen per watt (lm/W):	90
Average life in hours:	40 000
Ambient operating temperatures:	- 20°C/-4°F to 40°C/104°F
Air-tight (ASTM E283-04):	Yes
Traditional equivalent (W):	50

TECHNICAL DRAWINGS



CAN ICES-005 (B) - This lighting equipment complies with Canadian standard ICES-005 for use in residential applications.

COMPATIBLE DIMMER LIST

LEVITON IPE04-1LZ
 LUTRON DVCL-153P; AYCL-253P; DVCL-253P

*NOTE: The above table shows dimmers that have been tested and have demonstrated proper operation under normal conditions. Each installation being unique, various factors such as load, common neutrals or other electrical products on the circuit can, in certain instances, cause variance in system performance. Read and comply to the dimmer installation instructions. Consult dimming system manufacturer for additional support in operation. Standard recommends to use dimmers designed to work with LED products. Older dimmers designed for incandescent products may cause erratic operation. Do not mix products of different wattages or types on the same dimming circuit. Some dimmers may require more than one product for stable operation. The maximum number of products is determined by the dimmer wattage rating with LEDs. Be careful, these dimmers have different ratings depending on the product type. Again, refer to the dimmer installation instructions. For example, if the dimmer rating is 150W with LED, a user may use up to sixteen (16) 9W DL.

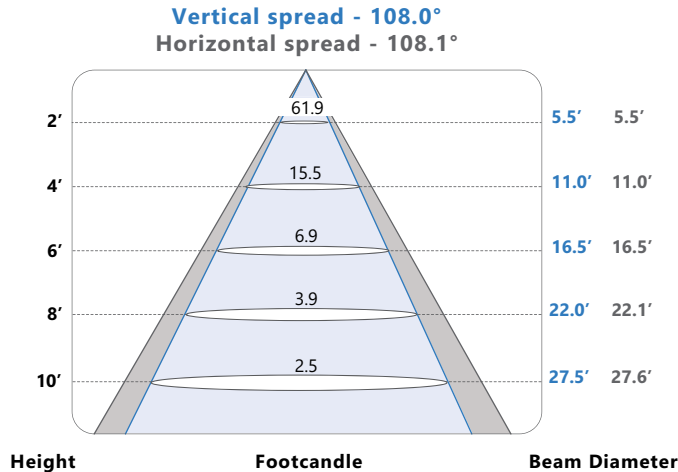
For a complete list of ENERGY STAR qualified products, please visit www.standardpro.com

Data is based upon tests performed in a controlled environment and representative of relative performance. Actual performance can vary depending on operating conditions. Specifications are subject to change without notice.

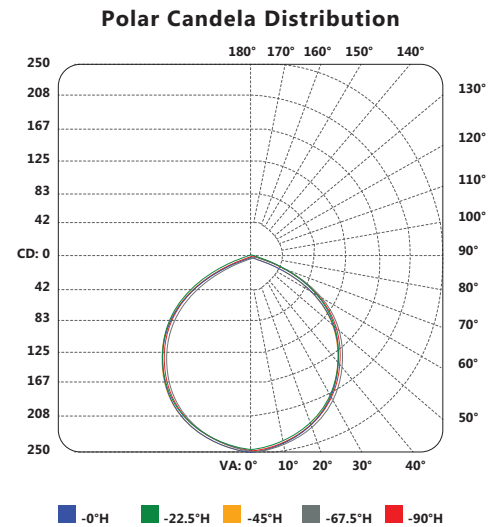
ORDERING INFORMATION

Order code: 64328
 Description: LED/PRESTO/DL4ID/7W/40K/STD
 UPC: 69549643284
 Case quantity: 6

PHOTOMETRICS - BEAM SPREAD*



PHOTOMETRICS - CANDELA DISTRIBUTION*



COEFFICIENTS OF UTILIZATION (ZONAL CAVITY METHOD)*

Effective Floor Cavity Reflectance: 20%

RCC %:	80		70		50		30		10		0				
RW %:	70	50	30	0	70	50	30	0	50	30	20	50	30	20	0
RCR: 0	1.19	1.19	1.19	1.19	1.16	1.16	1.16	1.00	1.11	1.11	1.11	1.06	1.06	1.06	1.02
1	1.10	1.06	1.02	.98	1.07	1.03	1.00	.87	.99	.96	.94	.95	.93	.91	.92
2	1.00	.93	.86	.81	.98	.91	.85	.74	.87	.82	.78	.84	.80	.76	.81
3	.92	.82	.74	.68	.89	.80	.73	.63	.77	.71	.66	.75	.69	.65	.72
4	.84	.73	.64	.58	.82	.71	.63	.55	.69	.62	.57	.67	.61	.56	.64
5	.77	.65	.56	.50	.75	.64	.56	.48	.62	.55	.49	.60	.54	.49	.58
6	.72	.59	.50	.44	.70	.58	.49	.42	.56	.49	.43	.54	.48	.43	.53
7	.66	.53	.45	.39	.65	.52	.44	.37	.51	.43	.38	.49	.43	.38	.48
8	.62	.49	.40	.34	.60	.48	.40	.34	.47	.39	.34	.45	.39	.34	.44
9	.58	.45	.36	.31	.56	.44	.36	.30	.43	.36	.31	.42	.35	.31	.41
10	.54	.41	.33	.28	.53	.41	.33	.28	.40	.33	.28	.39	.32	.28	.38

* complete IES files available on our website.

Qty	Description	Price

I accept the specifications of the luminaire configuration mentioned above.

Name: _____
 Company: _____
 Signature: _____

Date: _____

Data is based upon tests performed in a controlled environment and representative of relative performance. Actual performance can vary depending on operating conditions. Specifications are subject to change without notice.