

Date: \_\_\_\_\_  
 In hands date of project: \_\_\_\_\_  
 Project name/Number: \_\_\_\_\_  
 Name of distributor: \_\_\_\_\_  
 Client #: \_\_\_\_\_  
 Name of end user: \_\_\_\_\_



## ORDERING INFORMATION

Order code: 66092  
 Description: RDL4/10W/40K/WH/BAF/STD  
 UPC: 69549660922  
 Case quantity: 20

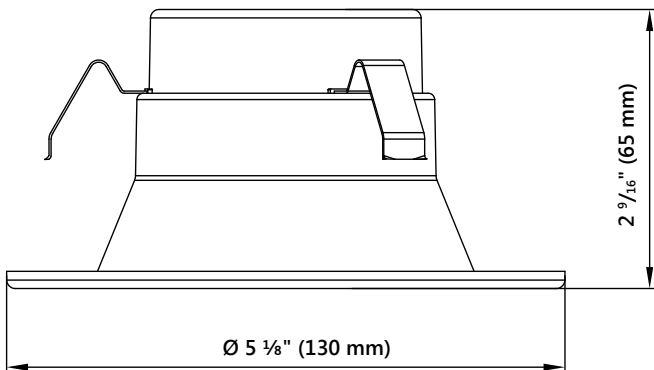
## PERFORMANCE DATA

Shape: Round  
 Type: LED Retro Downlight 4"  
 Traditional housing size: 4"  
 Lens type: Frosted plastic  
 Trim finish: White Aluminum  
 Wattage (W): 10  
 Voltage (VAC): 120  
 Beam angle: 100°  
 Color temperature (K)\*\*: 4 000  
 Lumens (lm)\*: 713  
 Lumens per watt (lm/W): 71  
 Life (hours): 50 000  
 CRI: 93  
 Dimming type: Forward-Reverse phase  
 THD (%): <30  
 Power factor: >0.9  
 Operating temperature range: - 30 °C / - 22 °F to 40 °C / 104 °F

\*Initial lumens range: +/- 5 %      \*\*Typical colour temperature range: +/- 5 %



## TECHNICAL DRAWINGS

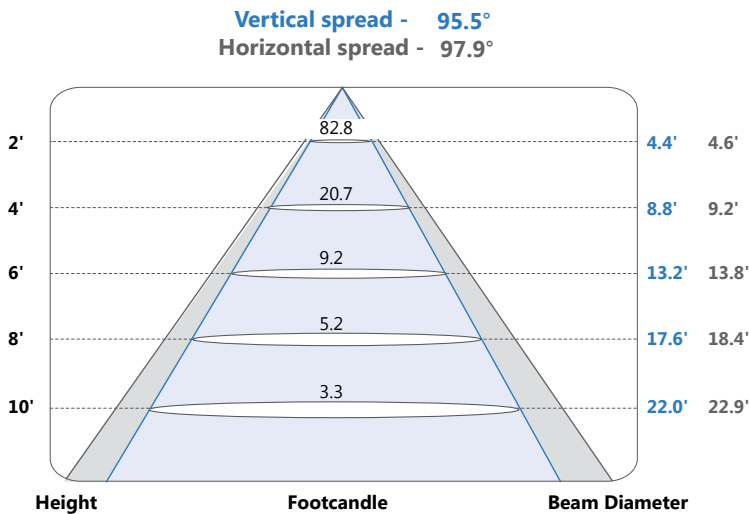


CAN ICES-005 (B) - This lighting equipment complies with Canadian standard ICES-005 for use in residential applications. For a complete list of ENERGY STAR qualified products, please visit [www.standardpro.com](http://www.standardpro.com)  
 Data is based upon tests performed in a controlled environment and representative of relative performance. Actual performance can vary depending on operating conditions. Specifications are subject to change without notice.

## ORDERING INFORMATION

Order code: 66092  
 Description: RDL4/10W/40K/WH/BAF/STD  
 UPC: 69549660922  
 Case quantity: 20

## PHOTOMETRICS - BEAM SPREAD\*



\* complete IES files available on our website.

## COMPATIBLE DIMMER LIST

Brand:	Model
Legrand	HCL453P
Cooper	AAL06, DAL06P, SLC03P
Leviton	6615, 6674, DSL06-1LZ, IPE04-1LZ, IPL06
Lutron	AYCL-253P, CTCL-153P, DVCL-153P, DVCL253P, DVELV-300P, MACL-153P, PD-6WCL, SELV-300P

\*NOTE: The above table shows dimmers that have been tested and have demonstrated proper operation under normal conditions. Each installation being unique, various factors such as load, common neutrals or other electrical products on the circuit can, in certain instances, cause variance in system performance. Read and comply to the dimmer installation instructions. Consult dimming system manufacturer for additional support in operation. Standard recommends to use dimmers designed to work with LED products. Older dimmers designed for incandescent products may cause erratic operation. Do not mix products of different wattages or types on the same dimming circuit. Some dimmers may require more than one product for stable operation. The maximum number of products is determined by the dimmer wattage rating with LEDs. Be careful, these dimmers have different ratings depending on the product type. Again, refer to the dimmer installation instructions.

Qty	Description	Price

I accept the specifications of the luminaire configuration mentioned above.

Name: \_\_\_\_\_  
 Company: \_\_\_\_\_  
 Signature: \_\_\_\_\_

Date: \_\_\_\_\_

Data is based upon tests performed in a controlled environment and representative of relative performance. Actual performance can vary depending on operating conditions. Specifications are subject to change without notice.